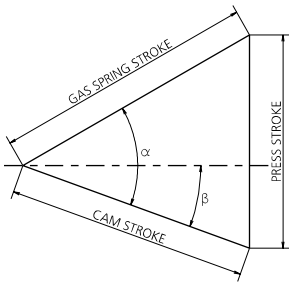
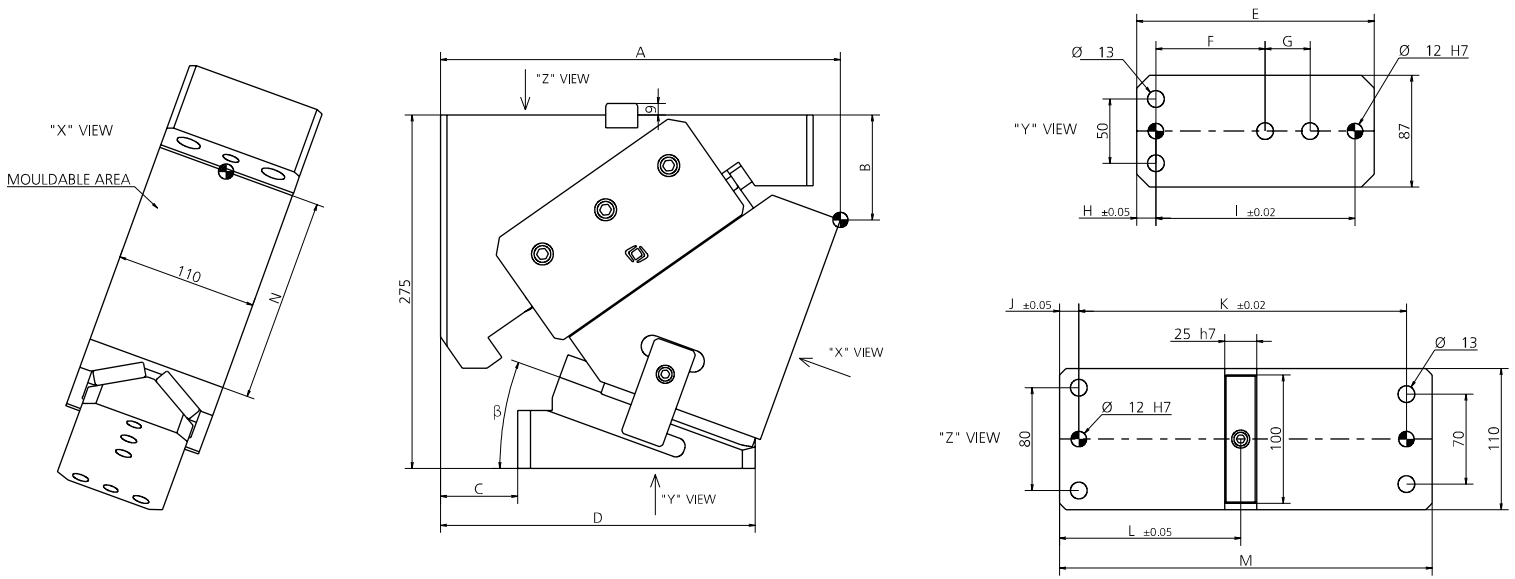


POS.	DESCRIPTION	Q.TY
001	CUNEO / WEDGE / DRUCKKEIL	1
002	SLITTA / SLIDER / LAGERKEIL	1
003	CORPO CAMMA / CAM BODY / GRUNDGEHÄUSE	1
004	STAFFA DI AGGANCIO / BRACKET ATTACHMENTS / BRACKETBEFESTIGUNG	2
005	PIASTRINA / PLATE / PLATTE	1
006	DISTANZIALE / SPACER / ABSTANDSHALTER	1
007	STAFFA / BRACKET / BRACKET	2

POS.	DESCRIPTION	Q.TY
008	CHIAVETTA / KEY / SCHLÜSSEL	1
009	FINECORSO / LIMIT SWITCHES / ENDSCHALTER	1
010	PIASTRA DI SCORRIMENTO / WEAR PLATE / DRUCKPLATTE	2
011	CILINDRO AD AZOTO / NITROGEN CYLINDER / STICKSTOFFZYLINDER	1
012	PUNTALINO / BUMP STOP / STOSSDÄMPFERSPITZE	2
013	SENSORE DI SICUREZZA / SECURITY SENSOR / SENSOR FÜR SICHERHEIT	1*OPTION
014	PIASTRA DI SCORRIMENTO / WEAR PLATE / DRUCKPLATTE	2



β	α	PRESS STROKE	GAS SPRING STROKE	CAM STROKE	EXTRACTION FORCE (daN)	CUTTING FORCE (daN)
0°	50°	36.77	48	30.85	1140	35700
5°	50°	36.91	48	34.07	1140	36600
10°	55°	39.93	48	34.46	1220	36900
15°	55°	40.71	48	38.07	1220	37200
20°	55°	41.84	48	41.84	1220	37500
25°	60°	45.87	48	43.38	1280	37800
30°	60°	48	48	48	1280	38100
35°	65°	53.11	48	50.75	1340	38400
40°	65°	56.79	48	56.79	1340	38700
45°	70°	63.79	48	61.52	1360	39000
50°	70°	48.24	33	48.24	1360	39300
55°	75°	55.57	33	54.06	1360	39600
60°	75°	63.75	33	63.75	1400	39900
65°	80°	76.9	33	75.42	1430	40200
70°	80°	95.02	33	95.02	1440	40500
75°	85°	96.23	25	95.13	1440	40700



CODE	β	A	B	C	D	E	F	G	H	I	J	K	L	M	N
0150.0110-00	0°	278	70	60	270	210	85	35	15	155	15	255	97.5	290	160
0150.0110-05	5°	285.45	74.28	60	265	205	85	35	15	155	15	255	117	290	160
0150.0110-10	10°	292.94	79.21	60	255	195	85	35	15	155	15	255	124.5	290	160
0150.0110-15	15°	300.41	84.79	60	250	190	85	35	15	155	15	255	133.5	290	160
0150.0110-20	20°	307.8	91.02	60	245	185	85	35	15	155	15	255	141	290	160
0150.0110-25	25°	302.93	102.42	50	228	178	40	45	15	135	20	260	140	300	160
0150.0110-30	30°	309.61	109.72	50	222	172	40	45	15	135	20	260	147.5	300	160
0150.0110-35	35°	316.06	117.58	50	217	167	40	45	15	135	20	260	155	300	160
0150.0110-40	40°	322.23	126	50	213	163	40	45	15	135	20	260	162.5	300	160
0150.0110-45	45°	311.62	131.41	10	193	183	55	45	20	120	15	265	148.5	295	160
0150.0110-50	50°	309.74	147.6	10	182	172	55	45	20	120	15	265	154.5	295	160
0150.0110-55	55°	302.27	165.76	10	167	157	55	45	20	120	15	265	175.5	295	160
0150.0110-60	60°	305.96	174.61	10	165	155	55	45	20	120	15	265	175.5	295	160
0150.0110-65	65°	285.71	195.11	0	137	137	55	25	20	100	15	265	155.5	295	160
0150.0110-70	70°	288.18	208.33	0	135	135	55	25	20	100	15	265	155.5	295	160
0150.0110-75	75°	290.36	211.76	0	134	134	55	25	20	100	15	275	155.5	310	160

13 PATENT PENDING

13 (9003) SENSORE / SENSOR / SENSOR



MODELLO D'ORDINE / ORDER EXAMPLE / BESTELLBEISPIEL / MODÈLE DE COMMANDE

MODEL **0150.0110** INCLINATION **-10°** OPTION CODE **9003.0002**